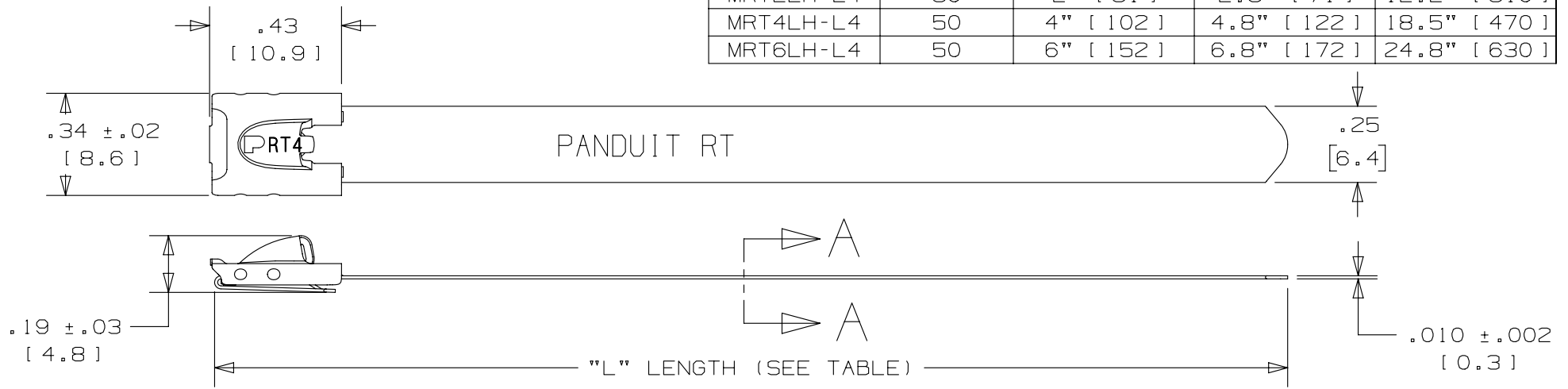


THIS COPY IS PROVIDED ON A RESTRICTED BASIS AND IS NOT TO BE USED IN ANY WAY DETRIMENTAL TO THE INTERESTS OF PANDUIT CORP.

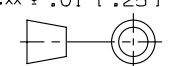
PANDUIT PART NO.	PACKAGE QTY	MAX BUNDLE DIAMETER MRTT TOOL	MAX BUNDLE DIAMETER PTRT TOOL	"L" LENGTH ±.3" [ 7 ]
MRT1.5LH-L4	50	1.5" [ 38 ]	2.3" [ 58 ]	10.6" [ 269 ]
MRT2LH-L4	50	2" [ 51 ]	2.8" [ 71 ]	12.2" [ 310 ]
MRT4LH-L4	50	4" [ 102 ]	4.8" [ 122 ]	18.5" [ 470 ]
MRT6LH-L4	50	6" [ 152 ]	6.8" [ 172 ]	24.8" [ 630 ]



NOTES:

1. APPLICATION TOOLS - MRTTLS & PTRT
2. MINIMUM LOOP TENSILE STRENGTH - 225 LBS. [ 1000 NEWTONS ] WHEN TESTED ON A 1.5" MANDREL.
3. BRACKETS [ ] DENOTE DIMENSIONS IN MILLIMETERS, AND ARE SHOWN FOR REFERENCE ONLY
4. TOLERANCES:  
 .XXX = ±.010 [ .25 ]    .XX = ±.02 [ .5 ]  
 .X = ±.03 [ .8 ]        ANGLES = ±2°
5. MATERIAL: 304 STAINLESS STEEL

REV	DATE	BY	CHK	APR	DESCRIPTION	ECN
06A	4/13	JAMB	MIM	RGRO	UPDATE DRAWING TO GLOBAL PANDUIT TITLE BLOCK WITH PANDUIT LOGO	SSECN01056
05A	3/12	MIM	RGRO	---	NOTE #3 METRIC DIMENSIONS NOTED AS BEING SHOWN FOR REFERENCE ONLY	-----

TITLE		<b>METAL TIE - LIGHT/HEAVY SERIES RETAINED TENSION</b>		
		CUSTOMER DRAWING		
ITEM REVISION NAME		N41249BS/06		
DATASET FILE NAME		N41249BS_DC/06A		
UNLESS OTHERWISE SPECIFIED, DIMENSIONAL TOLERANCES ARE: IN [ mm ]		<b>PANDUIT</b> MATERIAL: <b>304 STAINLESS STEEL</b>		
.x ± .1 [ 2.54 ]        .xxx ± .005 [ .127 ] .xx ± .01 [ .25 ]      ANGLES ± 5 °				
 THIRD ANGLE PROJECTION		DRAWING NUMBER: N41249BS_DC		
DRAWN BY	DATE	CHK	SCALE	SIZE
JAMB	5/06	EJD	2:1	A